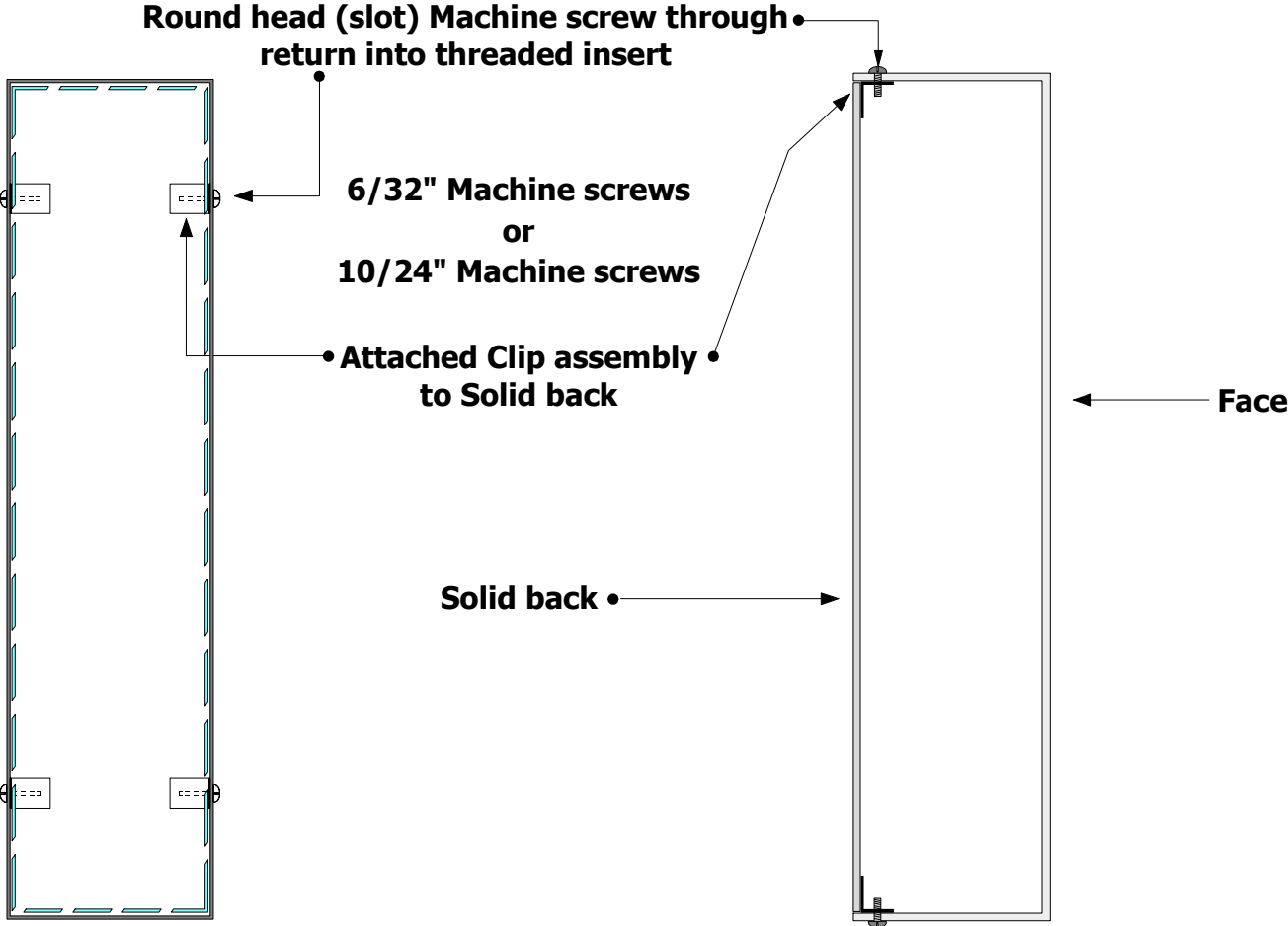


Mounting Type A-1a

(Solid back, mechanically mounted through side)



Back View

Profile View

Isometric View (rear)

