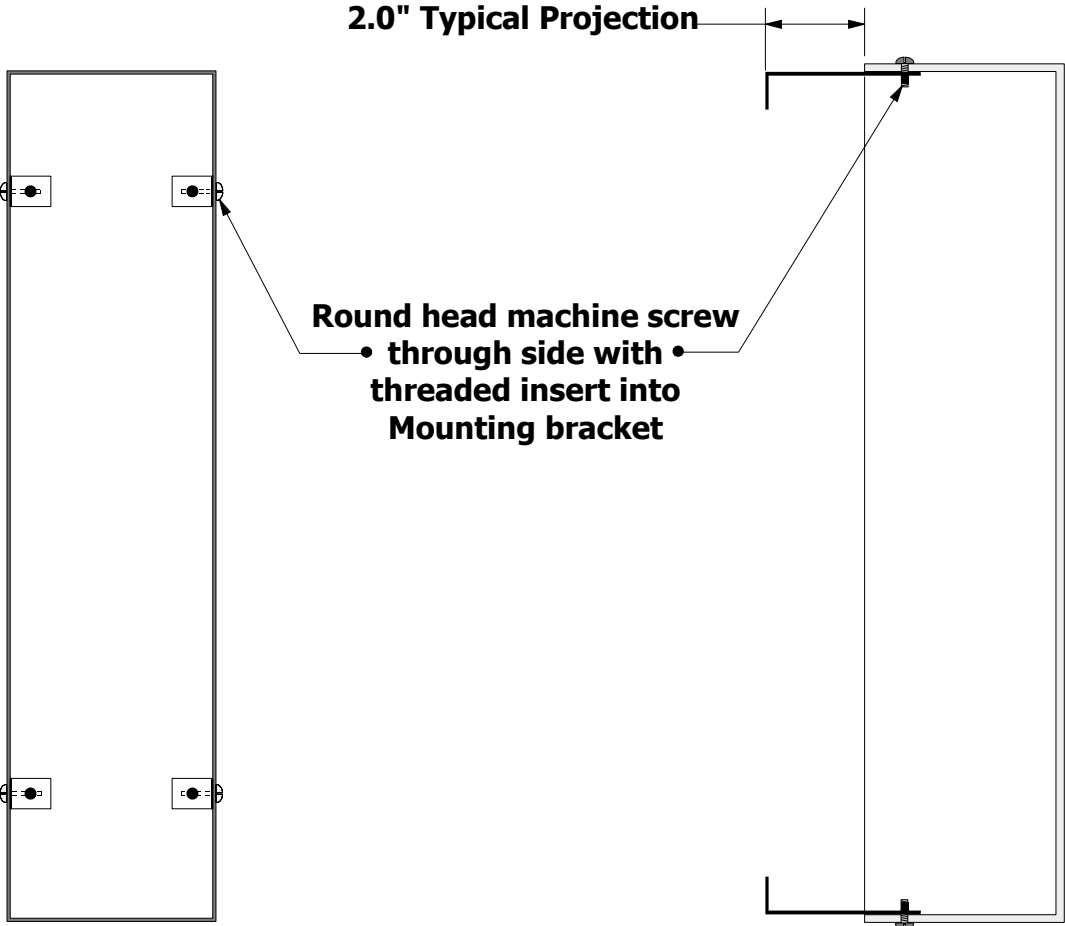


# Mounting Type C-1

(Projection bracket, mechanically attached through side)



**Back View**

**Profile View**

**Isometric View (rear)**

