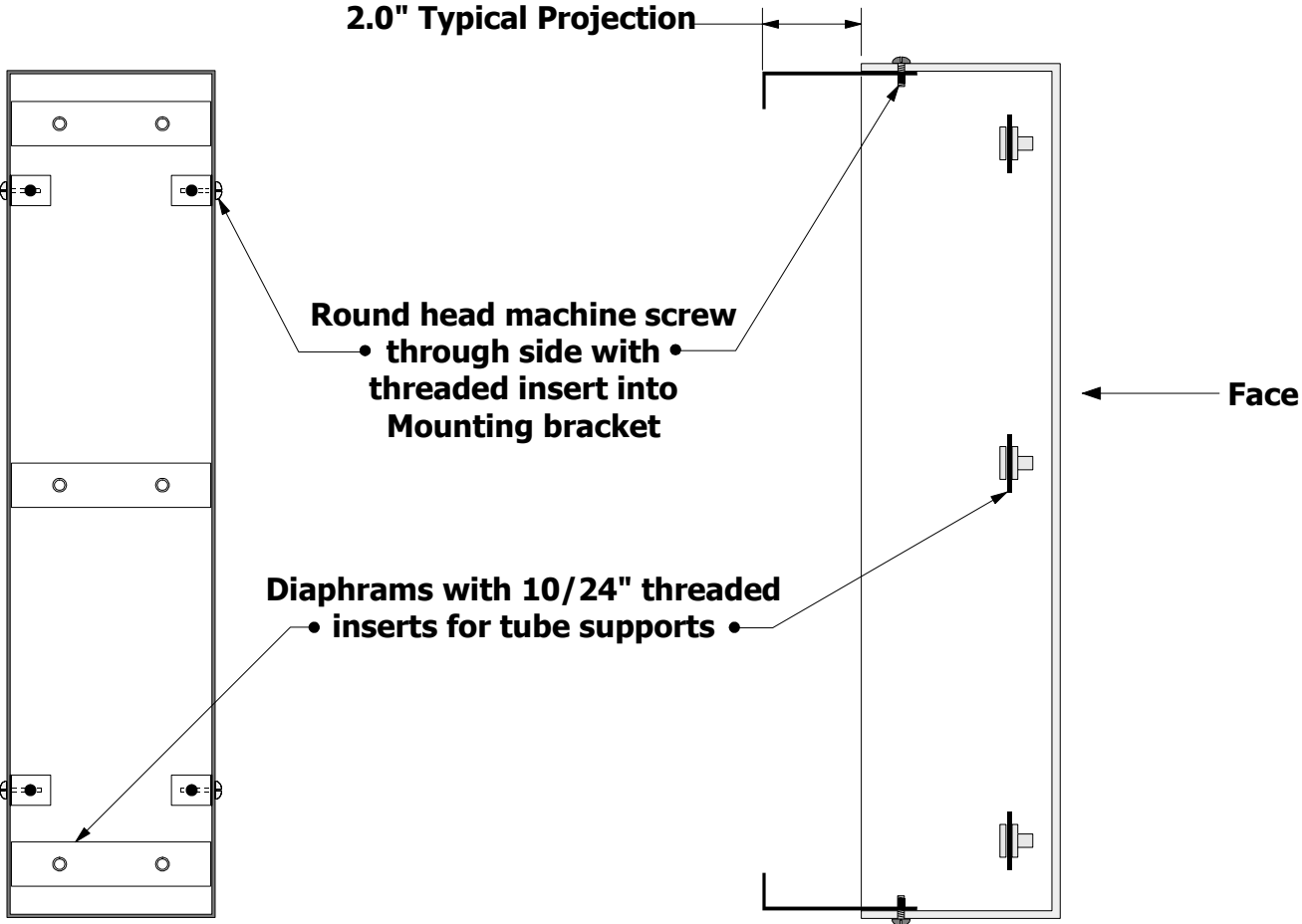


# Mounting Type C-3

(Projection bracket, tube support - double line neon)



**Back View**

**Profile View**

**Isometric View (rear)**

