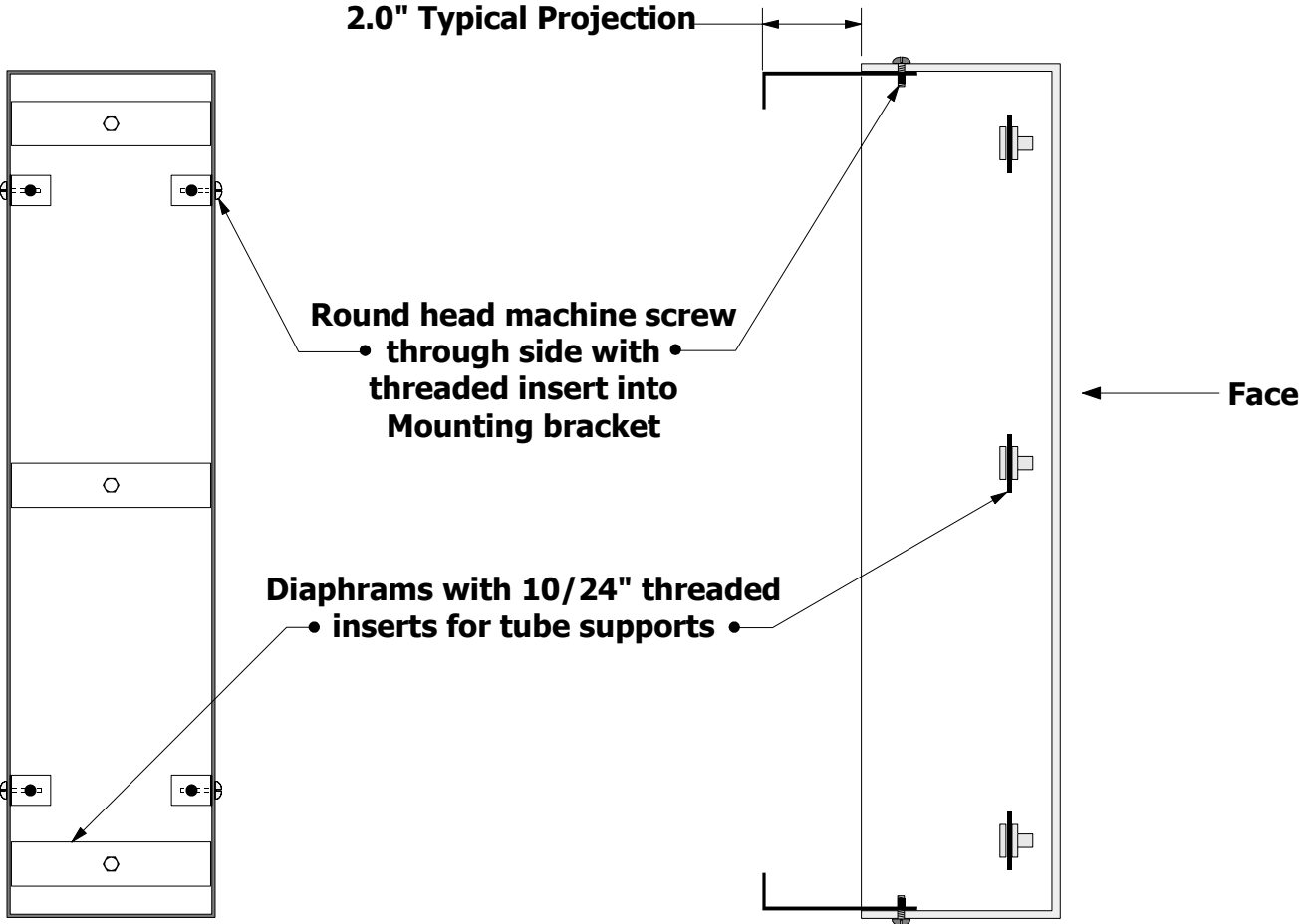


Mounting Type C-4

(Projection bracket, tube support - SINGLE line neon)



Back View

Profile View

Isometric View (rear)

