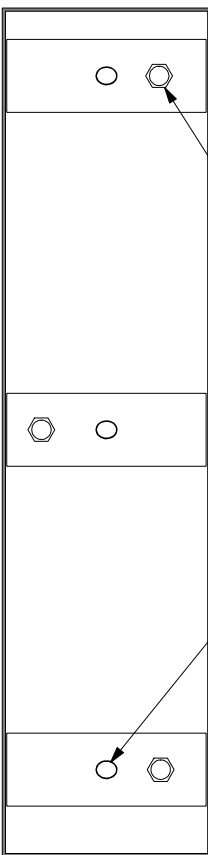
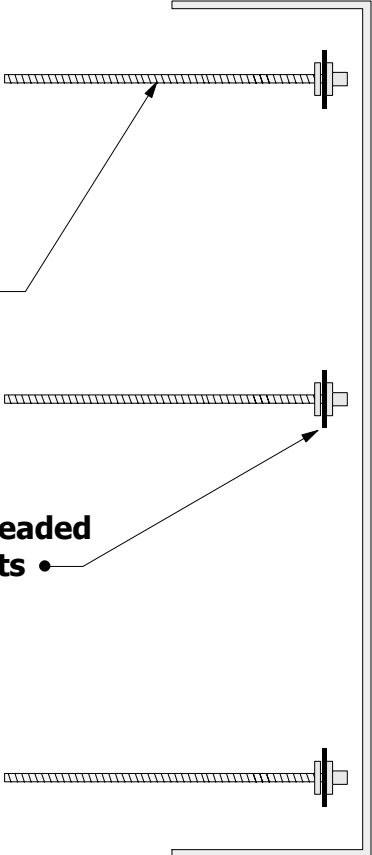


# Mounting Type D-2 (Offset stud mount, tube support - SINGLE line neon)



**Back View**



**Profile View**

**Isometric View (rear)**

